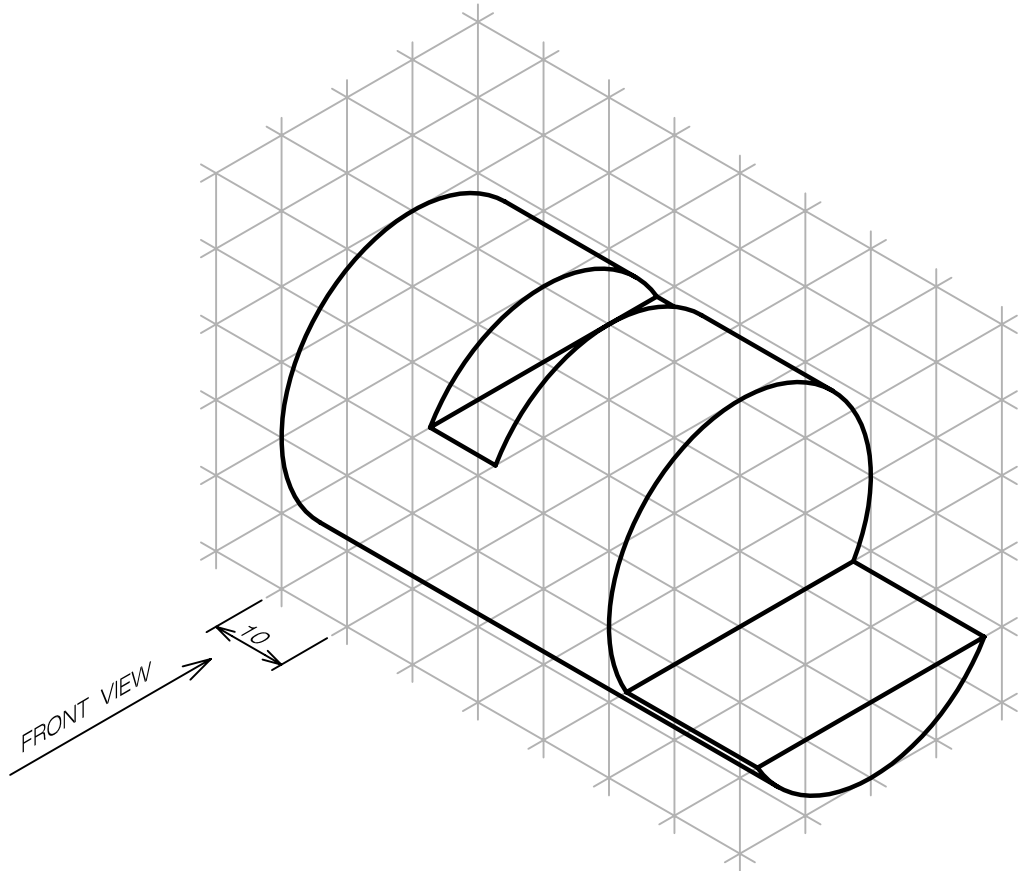


Neatly sketch the front, top and right-side views of the following pictorial figures.

(a)



(b)

